

CyverONE SIP-Zero



1U appliance rack-mount server with Quad-core processors for high-performance SIP communication.



FEATURES

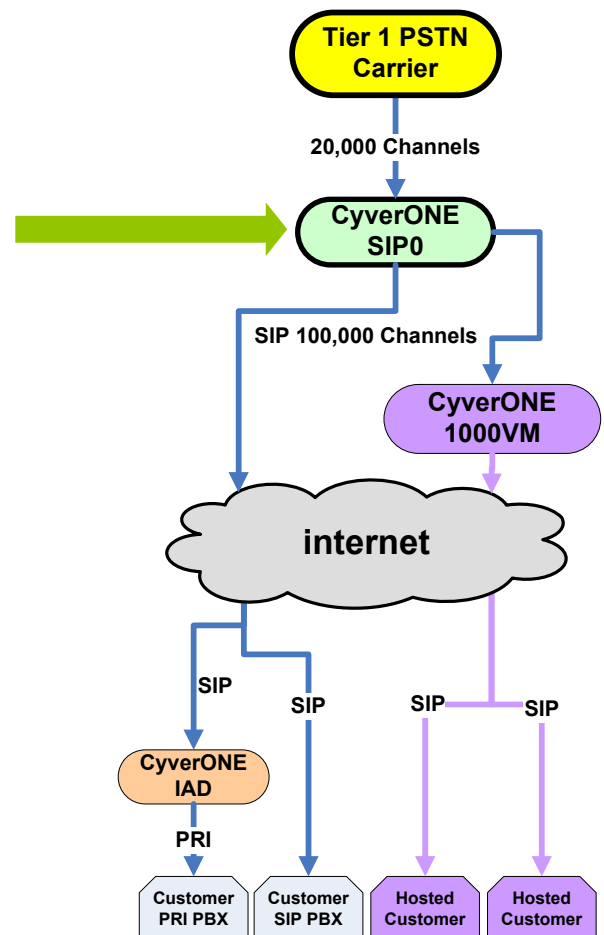
- Intel® Quad-core Bloomfield 3.06GHz Processors
- Support 100,000 simultaneous calls
- 2 x 1-Gigabit Ethernet ports - standard
- Optional 10 x Gigabit or Fiber Termination option
- Redundant 275W ATX PSU
- Compact Flash and Disk on Module (DOM) Boot
- Front access for user-friendly maintenance
- Character or graphic LCD/Keypad for friendly installation and operation interface

SPECIFICATIONS

O/S	- CyverGIX 11.06
CPU Board	- Dual Intel Xeon W3550 Quad Core Bloomfield 3.06GHz Processors
System Memory	- 64 GB DDR3 800/1066/1333 DIMM
Ethernet Ports	- Two PCI-E GbE ports (Intel® 82574L) - One flexible Ethernet modules up to 8 GbE ports
Expansion Slots	One PCI-E x8 slot
Storage Devices	- Two 500 GB SATA 2.5" HDD for CDR and billing storage - Compact Flash Boot
Serial Port	- One front accessible RJ45 connector for system console - Two 2x5 pin-connector
LCD Panel	- 2x16 characters LCD module with 4-buttons - 128x32 graphical LCD module with 4-buttons - 128x64 graphical LCD module with 7-buttons and 3 software control Bi-LEDs
LEDS	LED indicators for power status and storage access
Redundant Power	Two - 275W ATX PSU
Dimensions	443(W) x 556(D) x 44(H) mm 17.4"(W) x 21.9"(D) x 1.73"(H)
Operating Environment	- Temperature: 5 to 35°C (41 to 95°F) - Humidity 20% to 90%RH
Storage Environment	- Temperature: 0 to 70°C (32 to 158°F) - Humidity 5% to 95%RH
Certification	CE/FCC/UL



Redundant 275W ATX PSU



ORDERING GUIDE

Part No.	Ethernet Interface
CYVERONE-SIP0-64-10	10 Copper GbE ports
CYVERONE-SIP0-64-F	2 Copper GbE ports 1 Fiber GbE ports